

E225114116 Endeavor Series

Premium Quality Neoprene Rubber Washer

2 1/4" OD X 1 1/4" ID X 1/16" Thickness
Commercial Grade 60 NES-XT Neoprene

Specifications

OVERSIZED - Washers over 2" OD are considered OVERSIZED
Outside Diameter 2 1/4" (2.25) +/- .01
Inside Diameter 1 1/4" (1.25) +/- .01
Thickness 1/16" (.062) +/- .016
Hardness - Shore A 60 Duro +/- 5

Actual Size When Printed on US Letter

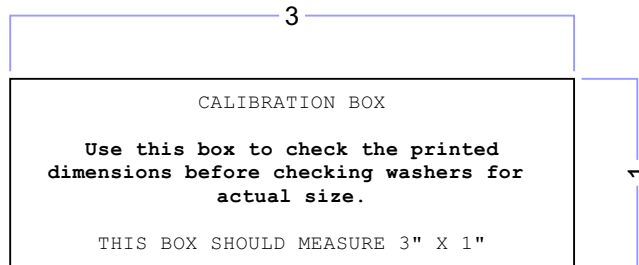
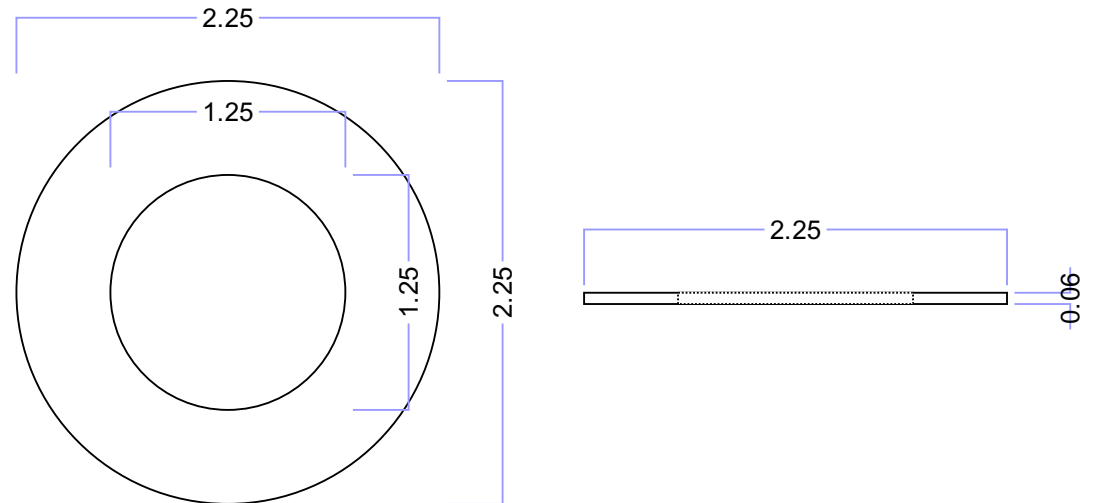
Heat Aging

HEAT RESISTANCE @ 100°C 70 HRS
CHANGE IN HARDNESS +/- 15 DURO
CHANGE IN TENSILE +/- 30%
CHANGE IN ELONGATION -50%
LOWEST WORKING TEMP -22 DEGREES F
HIGHEST WORKING TEMP 190 DEGREES F

Product Range - Black

Cutting Process

Die Cut



Name: E225114116 Specifications	Drawing: 00001	Project: Specs	Drawn: ADB	Notes: MADE IN THE USA	PRIMAL23 Engineering Arvada, CO 80003 Re-order from www.PRIMAL23INDUSTRIAL.com www.PRIMAL23.com
Cat: Specifications and Dimensions	Scale: 1:1	Date: 05/22/2017	Rev: A		