

E15010116 Endeavor Series

Premium Quality Neoprene Rubber Washer

1 1/2" OD X 1" ID X 1/16" Thickness

Commercial Grade 60 NES-XT Neoprene

Specifications

Outside Diameter 1 1/2" (1.50) +/- .01
Inside Diameter 1" (1.00) +/- .01
Thickness 1/16" (.062) +/- .016
Hardness - Shore A 60 Duro +/- 5

Heat Aging

HEAT RESISTANCE @ 100°C 70 HRS
CHANGE IN HARDNESS +/- 15 DURO
CHANGE IN TENSILE +/- 30%
CHANGE IN ELONGATION -50%

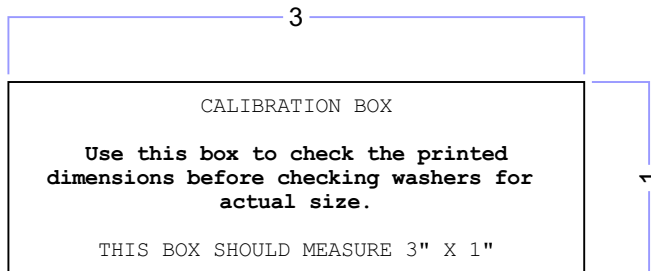
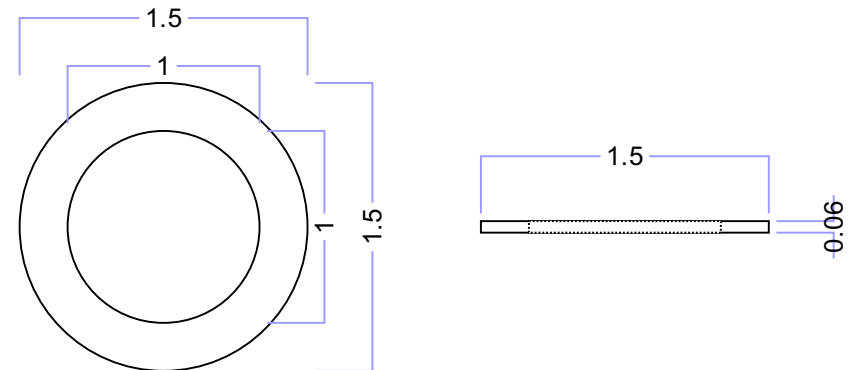
LOWEST WORKING TEMP -22 DEGREES F
HIGHEST WORKING TEMP 190 DEGREES F

Product Range - Black

Cutting Process

Die Cut

Actual Size When Printed on US Letter



Name: E15010116 Specifications	Drawing: 00001	Project: Specs	Drawn: ADB	Notes: MADE IN THE USA	PRIMAL23 Engineering Westminster, CO 80030 Re-order from www.PRIMAL23INDUSTRIAL.com
Cat: Specifications and Dimensions	Scale: 1:1	Date: 04/16/2017	Rev: A		

